

Alteco.



TVC-2000, TVC-3000



1. .... 5

2. .... 9

3. .... 11

4. .... 11

5. .... 15

6. .... 15

7. .... 16

Alteco.

Alteco

1.

1.1

1.2

- 
- 
- 
- 
- 
- 
- 

220-240 , 50

93%,

.

.

.

.

.

.

.

.

.

.

.

•

1

• ( . . )

•

•

•

( . . ).

•

•

2

•

•

•

•

•



220

2.

(

)

-

;

;

-

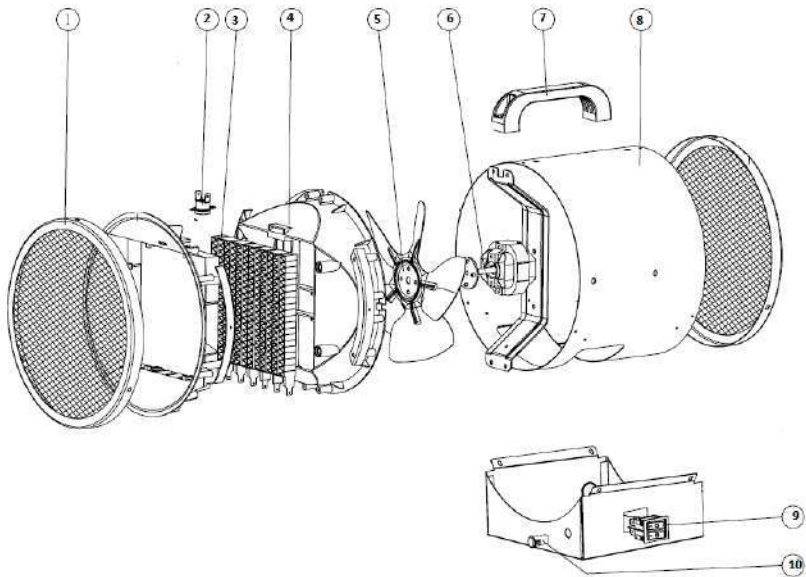
-

-

-

;

1



1

- 1.
- 2.
- 3.
- 4.
  
- 5.
- 6.
- 7.
- 8.
- 9.
- 10.

( )

3.

|       |             |             |
|-------|-------------|-------------|
|       | TVC-2000    | TVC-3000    |
|       | 220-240V    | 220-240V    |
|       | 2000W       | 3000W       |
|       | 8.70A       | 13.04A      |
|       | 1000/2000W  | 1500/3000W  |
| ( . ) | 165*130*220 | 220*170*290 |
| ( . ) | 1.5         | 2.6         |

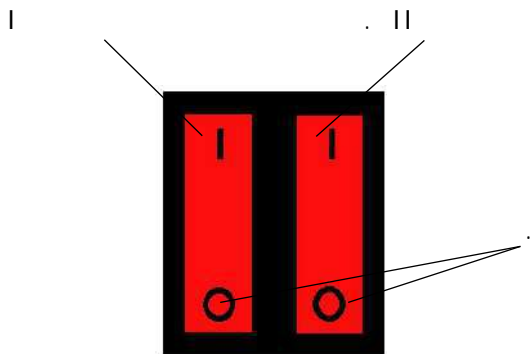
4.

220 / 50

2,5<sup>2</sup> 1,5<sup>2</sup>

8

16



I – TVC-2000 – 1

TVC-3000 – 1.5

II – TVC-2000 – 2 TVC-3000

– 3

2-3

II

I

( ' )

•

;

•

!

5.

!

6.

•

+50°  
(

+25° )

-50  
100%

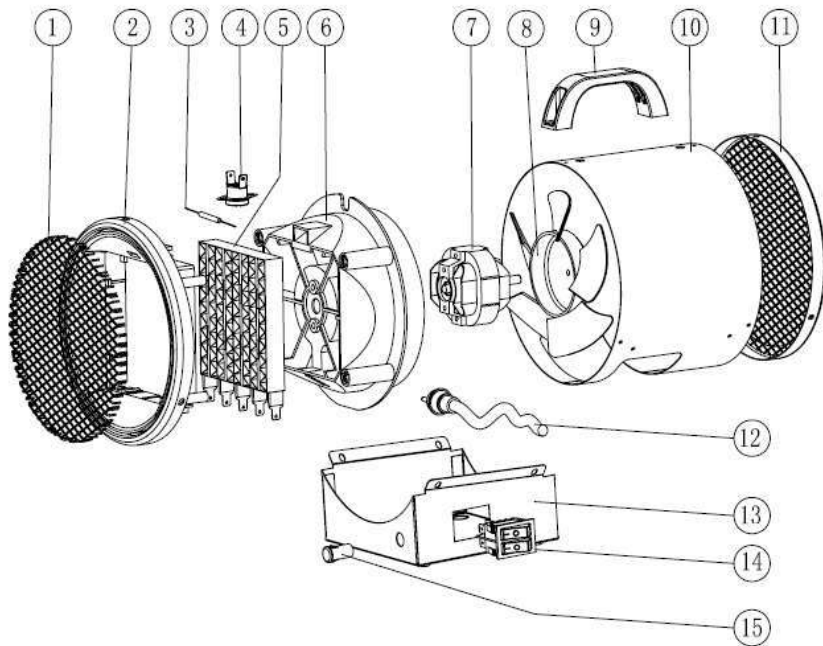
•

• •

+5    +40°  
80% (

+25° ).

7.





:

—

... .. , 8/1  
+7 (7172) 55-44-40

... .. , 157  
+7 (7273) 31-77-03

... .. 111  
+7 (7252) 99-77-08

... .. , 45  
+7 (7122) 55-66-03

... ..  
+7 (7122) 55-66-03 ( . 4020)

... .. , 43  
+7 (7232) 70-57-07



---

---

---

---

---

---

